

Klever Kleena

User Instructions

K-Bot RX1 Pool Cleaner



K-Bot RX1 User Instructions

WARNINGS AND CAUTIONS

Warnings



- Use the originally supplied power supply only
- Ensure the electrical outlet is protected by a ground fault interrupter (GFI) or an earth leakage interrupter (ELI)
- Keep the power supply out of standing water
- Position the power supply at least 3m away from the edge of the pool
- Do not enter the pool while the Pool Cleaner is working
- Unplug the power supply before servicing

Cautions

When not in use store the Pool Cleaner in a shaded area, upside down (not on its brushes).

Use the Pool Cleaner in the following water conditions only:

Chlorine	Max 4 ppm
pH	7.0 - 7.8
Temperature	6 – 34°C
NaCl	Maximum = 5000 ppm

Specifications

Motor protection: IP 68

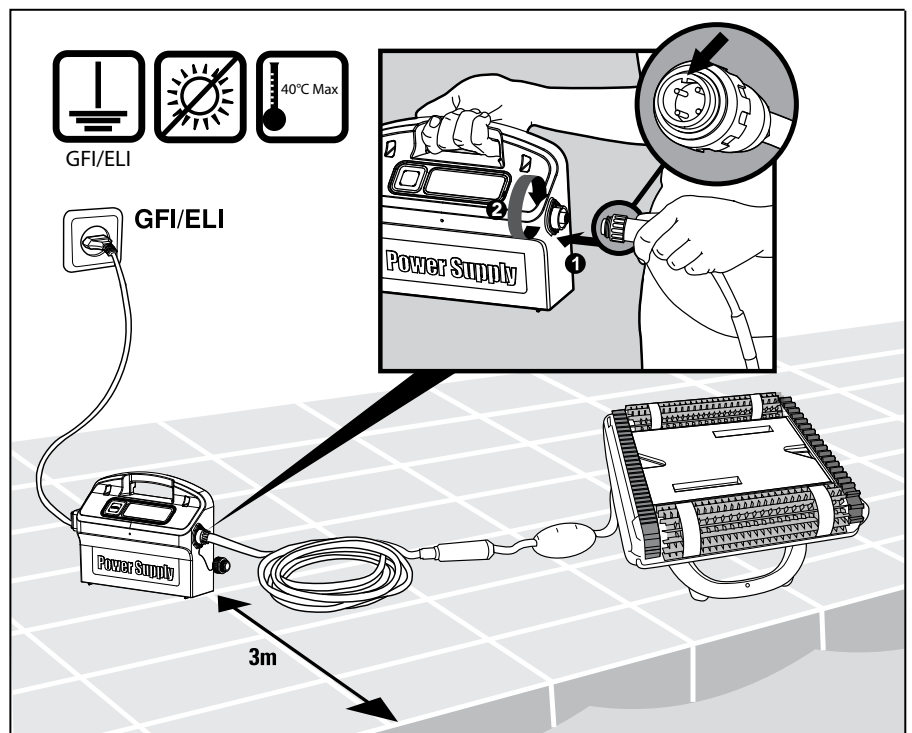
Minimum depth: 0.80m

Maximum depth: 5m

1



Set-up

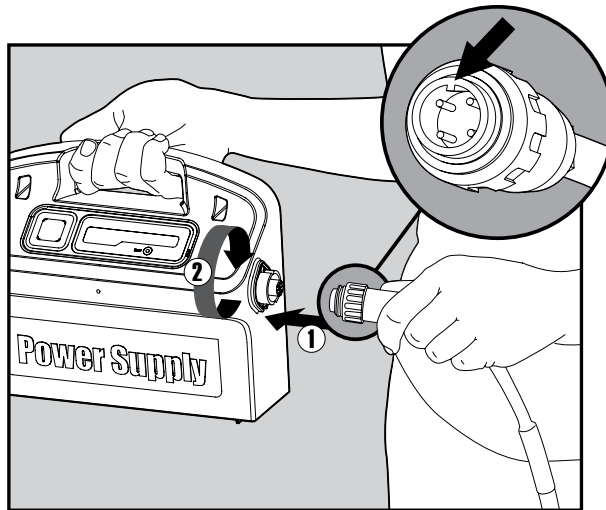
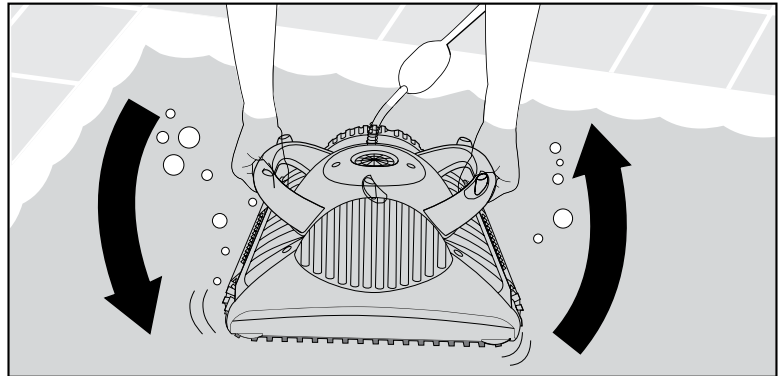


2



Into the Pool

- If Ultra Grip rings are dry, soak them in water until soft
- Shake robot from side to side or turn it upside down to release trapped air
- Attach the floating cable to the power supply by inserting it with the notch on the connector (1) lined up with the groove in the socket on the power supply and turning clockwise (2)

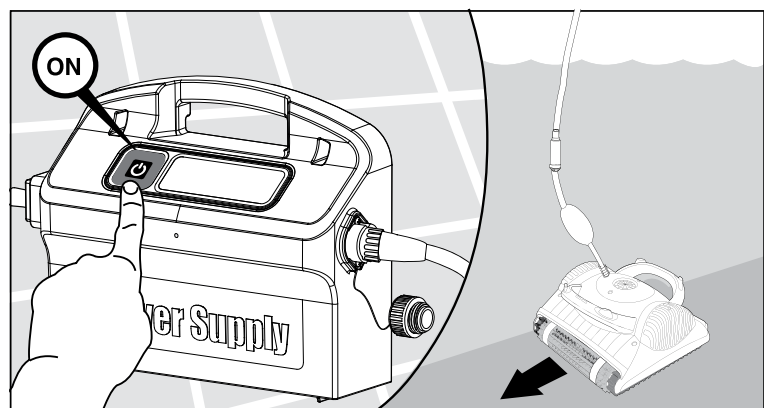


3



Operation

- Turn the power supply ON. The Pool Cleaner will now operate until it has reached the end of the cleaning cycle

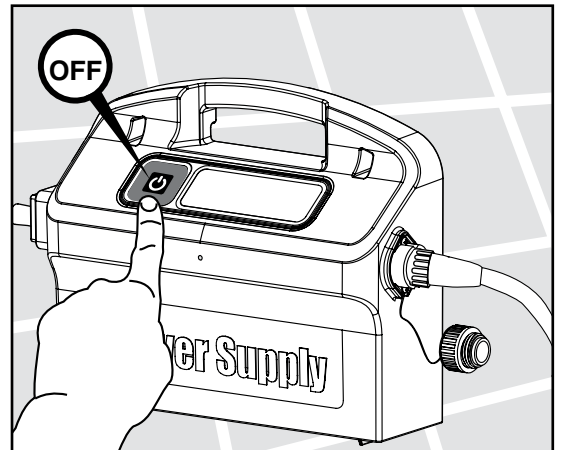


4



Out of the Pool

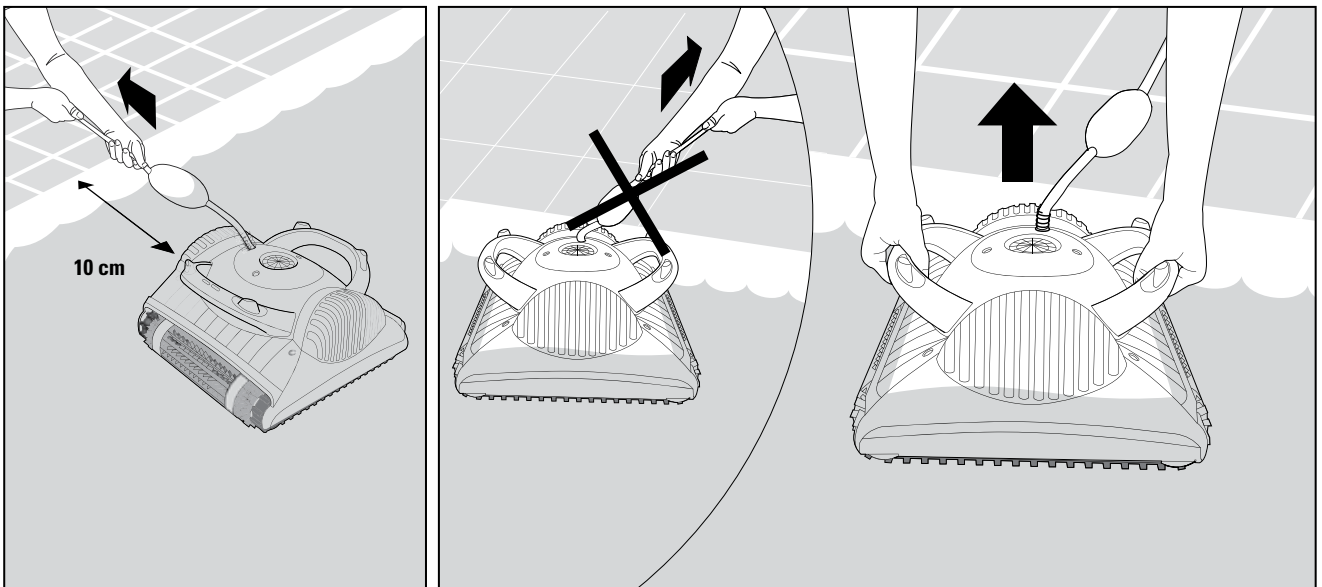
- The Robot will perform automatic shut-off at the end of the cleaning cycle.



5



Out of the Pool

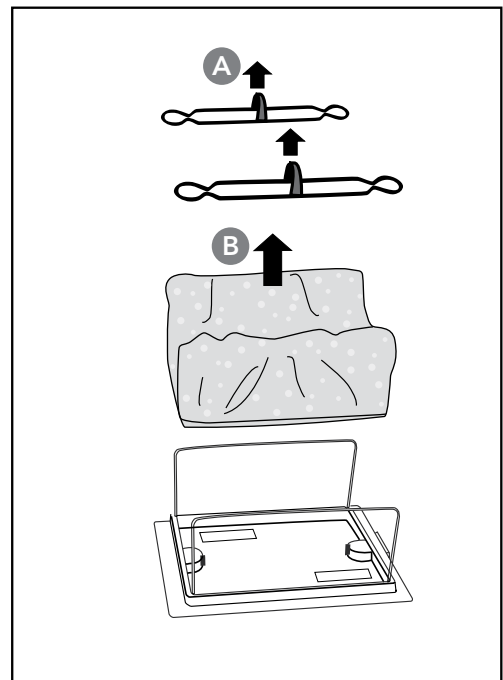
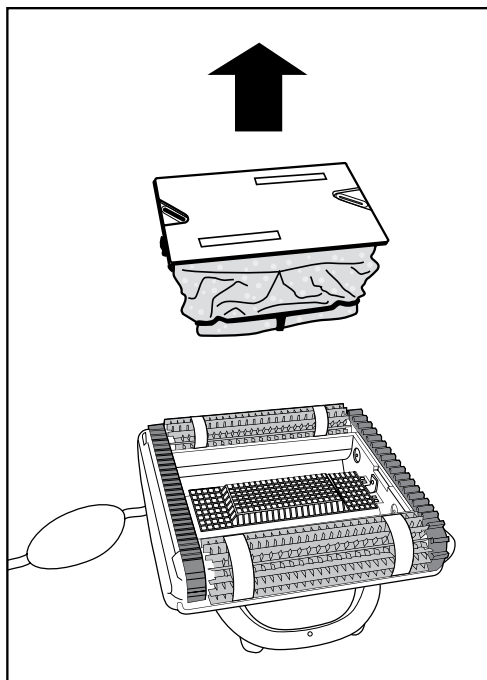
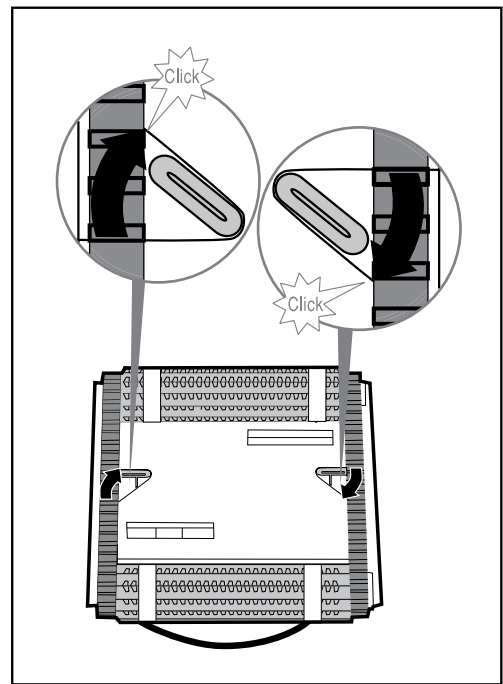
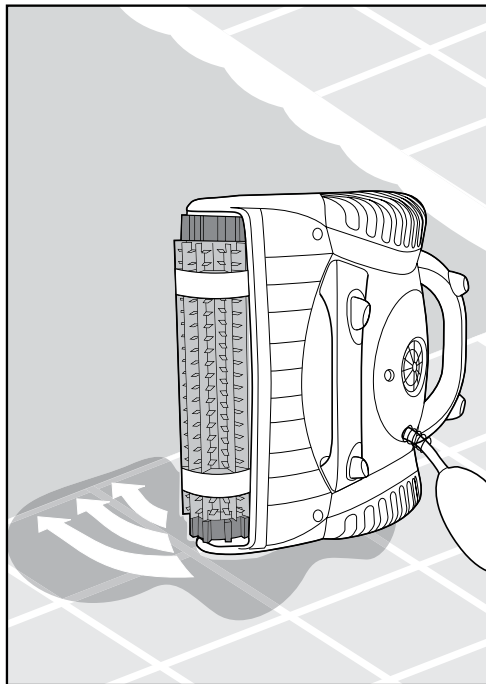


- Using the floating cable, bring the Pool Cleaner to the pool's edge. Using the handles remove the Pool Cleaner from the pool.
- Do not pull the Pool Cleaner from the pool using the cable.



Maintenance

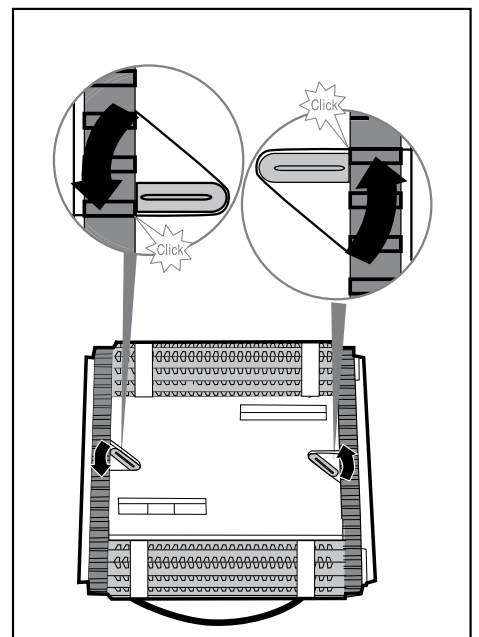
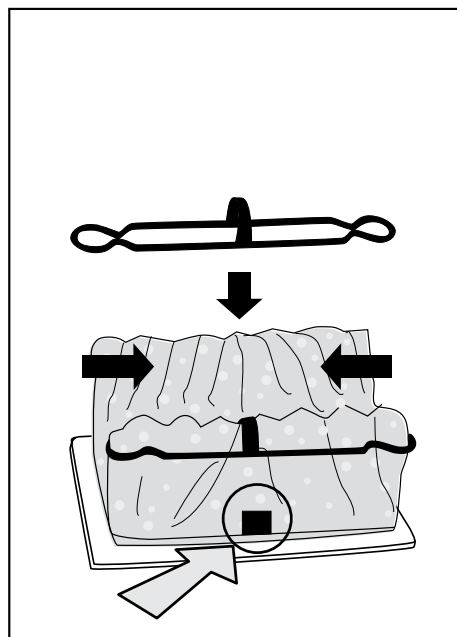
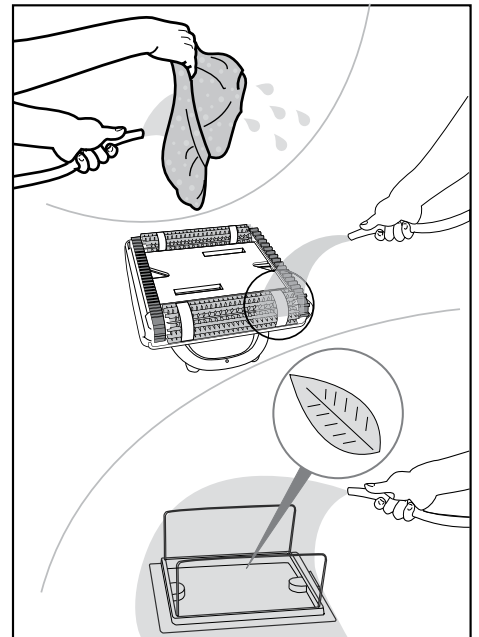
- Place the Pool Cleaner on the edge of the pool and let the water drain out.





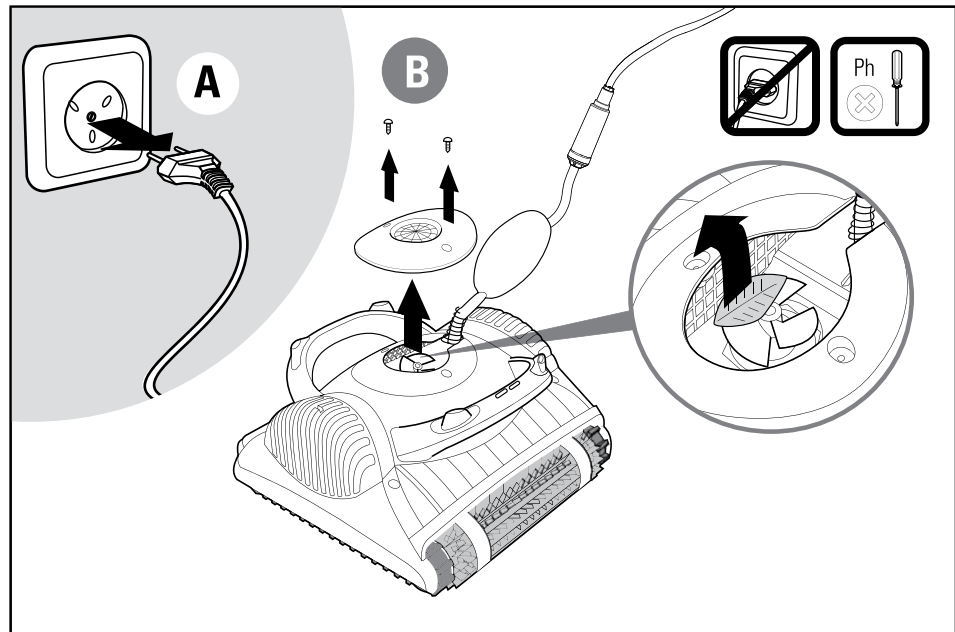
Maintenance

- Clean the filter bag with a hose.
It is recommended to periodically wash filter bag in a washing machine. Use synthetic cleaning program.
- Periodically clean the brushes with a hose.
- Refit the filter bag with the tag on the outside positioned centrally along the length side of the bottom lid.



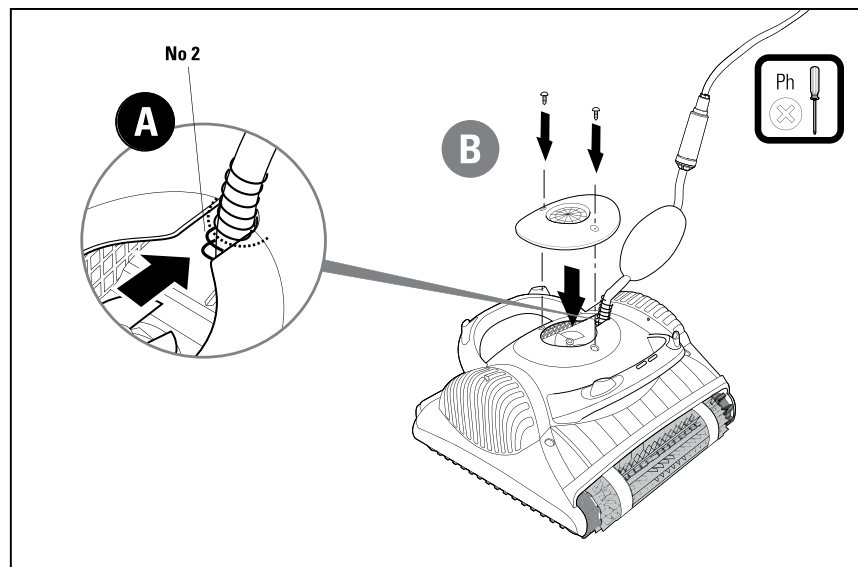


Maintenance



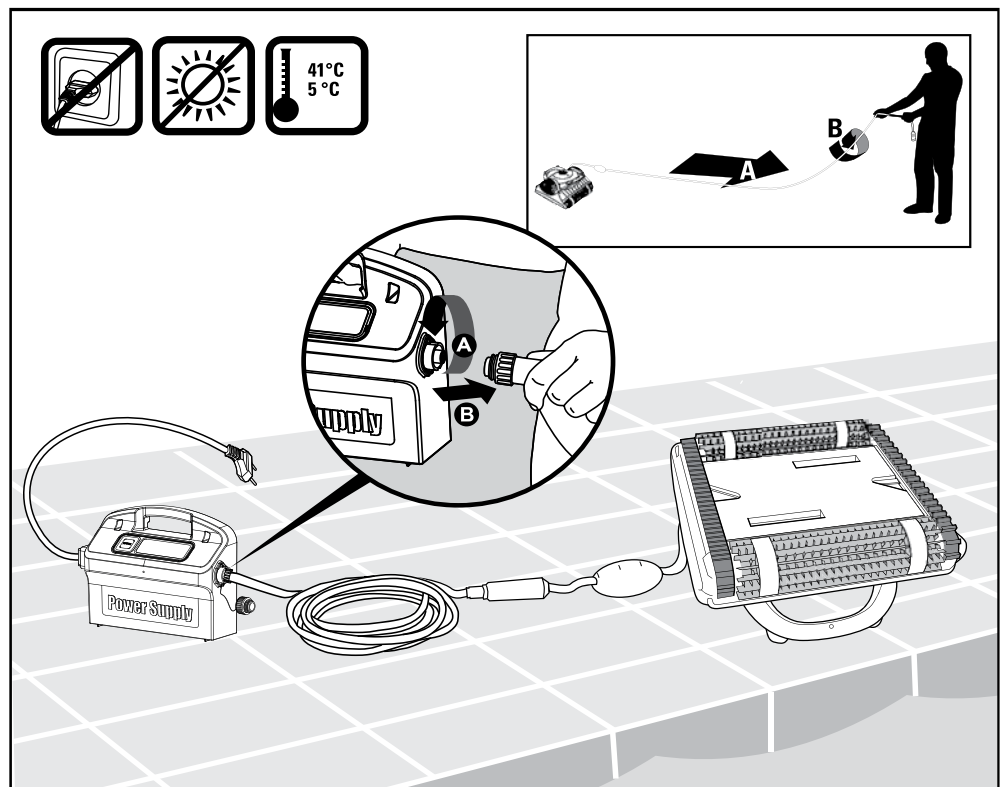
Maintenance

- Place the impeller cover at an angle so that the notch is on the second ring of the spring. Press down on the impeller cover in the direction of the spring, pushing it into place. Replace the screws.





Storage



Off season storage:

If the Pool Cleaner will not be in use for an extended period, perform the following storage steps:

- Make sure that no water is left in the Pool Cleaner
- Thoroughly clean the filter bag and insert in place
- Roll up the cable so that it has no kinks
- Store the Pool Cleaner in a protected area upside down (not on its brushes)

Aquatight Pool Equipment

Website: www.aquatight.com.au

Email: info@autopool.com.au

Perth (Head Office)

4/115 Belmont Ave, Belmont, WA, 6104

phone: (08) 9362 4022

fax: (08) 9361 3913

Sydney

35/15 Valediction Road, Kings Park, 2148

phone: (02) 9671 7041

fax: (02) 9671 7963

Melbourne

phone: 1300 656 956

fax: 1300 502 508

Brisbane

2/246 Evans Road, Salisbury, QLD, 4107

phone: (07) 3277 4958

fax: (07) 3272 9091